

HAUG Ionization - for the elimination of electrostatic charges



HAUG discharging systems serve to neutralize electrostatic charges. These disruptive electrostatic charges can be found on various material webs, where they interfere with the production process and attract dust particles as well as other quality-reducing substances. HAUG has been engaging in research, development and production for more than 50 years to solve these problems.

Surface Cleaner

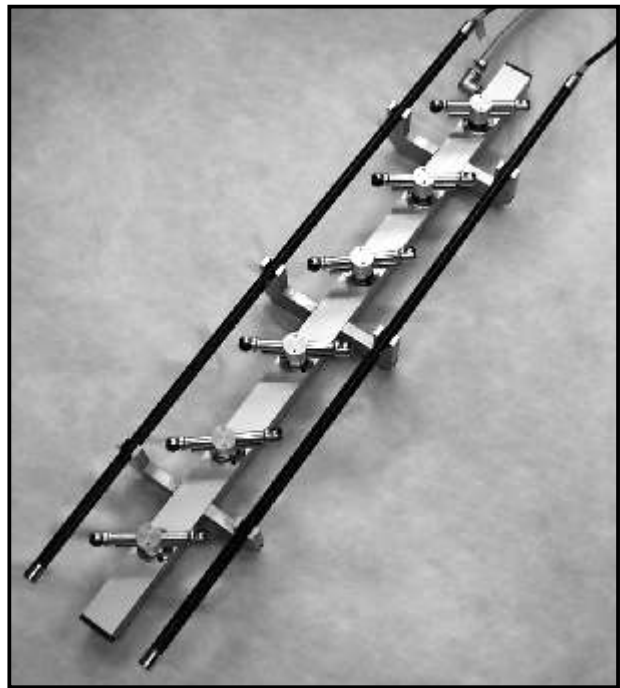
The HAUG Surface Cleaner is intended for the contact-free removal and cleaning of electrostatic charges and particles from, for example, plastic injection mouldings, deep-drawn parts and film webs.

The combination of two (round) ionizing bars and pulsed compressed air from several rotating cleaning nozzles ensures a consistent, efficient cleaning result.

The cleaning nozzles are available in a variable-speed version. The integrated speed control of the cleaning nozzles ensures a uniform, pressure-independent speed of approx. 600 min⁻¹ and therefore a consistently good cleaning result.

The mounting of the Surface Cleaner is straightforward due to the bores integrated in the holder and the body. The unit is available from a length of 450 mm (2 cleaning nozzles and 2 holders) and up to a length of 1950 mm (10 cleaning nozzles and 4 holders). The lengths and versions of the Surface Cleaner are customized as required.

On request, the Surface Cleaner with its variable-speed cleaning nozzles is also available in a version for areas with a potentially explosive atmosphere.



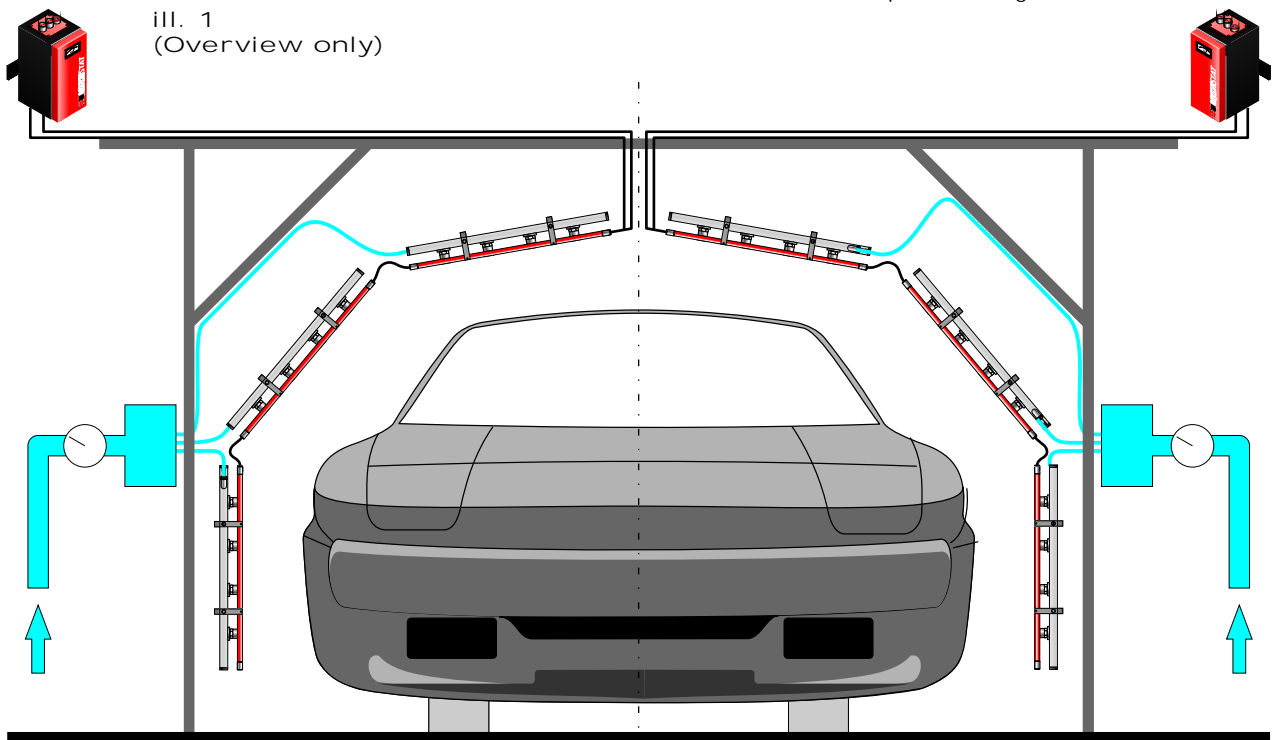
Surface Cleaner

Industries

The Surface Cleaner is suitable, among others, for the following applications:

- Surface technology
- Injection moulding
- Automotive industry
- Glas industry
- Furniture industry

Processing associated with the surface treatment of paper, leather and plastic parts and on laminating and coating machines can also be optimised using these units.



HAUG GmbH & Co. KG

Friedrich-List-Str. 18
D-70771 Leinf.-Echterdingen
Phone: +49 711 / 94 98-0
Telefax: +49 711 / 94 98-298

Germany

www.haug.de
E-mail: info@haug.de

HAUG Biel AG

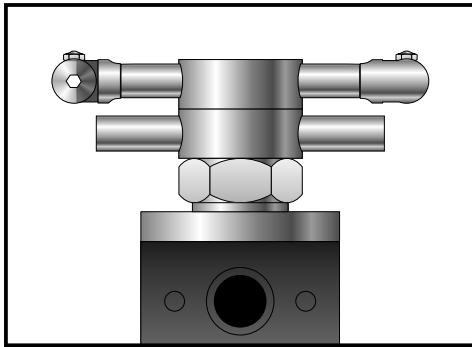
Johann-Renfer-Str. 60
CH-2500 Biel-Bienne 6
Phone: +41 32 / 344 96 96
Telefax: +41 32 / 344 96 97

Switzerland

www.haug-ionisation.com
E-mail: info@haug-biel.ch

Air Line - Surface Cleaner





variable-speed cleaning nozzle

Surface Cleaner

Technical data Surface Cleaner

Type: Surface Cleaner Order-No.: 04.0503.xxx
with speed-variable cleaning nozzles,
for two round ionizing bars.
Please order ionizing bars separately!

Dimensions (H × W): 105 × 229 mm

Lengths: 450 mm – 1950 mm
Special lengths on request

Nozzles: 2 solid stream nozzles Ø 1.6 mm
(per cleaning nozzle)

Air consumption: 420 NI/min at 6 bar (per cleaning nozzle)

Operating pressure: 5 – 10 bar (dry, oil free, filtered)

Standard speed: 600 min⁻¹

Air discharge angle: 20°

Operating temperature: ±0 °C to +40 °C

Storage/transport temperature: -15 °C to +60 °C

Subject to technical changes!

